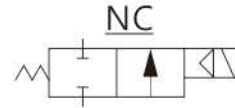
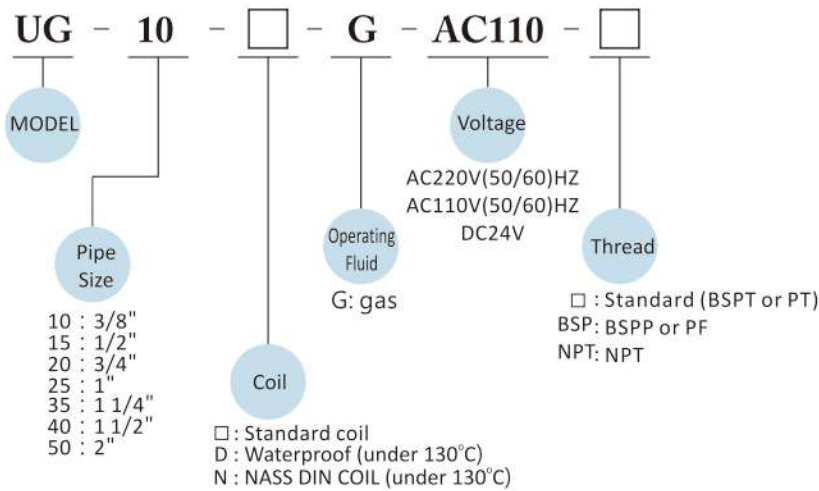


# UG-10~50

UD Series



## PRODUCT DESCRIPTION

- UG series is direct, multiplex, connected diaphragm, conductive and normally closed (NC) 2/2 way solenoid valve.
- Able to be operated directly without pressure
- Availability of fluid type: gas

## CAUTIONS:

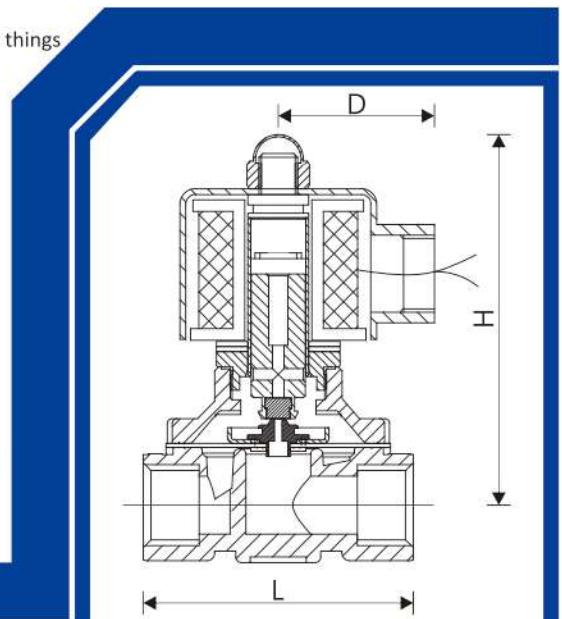
- Before pipelining, the pipe line must be very clean without any contaminants or any other things not ought to be existed.
- To prolong the life time of the product, Y-line filter should be installed in the front end of solenoid valve.
- AC voltage tolerance: ± 10%; DC voltage tolerance: ± 1%
- It should be installed horizontally; vertical installation is not advisable.

## Not Suitable For Fluid As Below:

- Liquid status when it is high temperature; solid status when it is cool.
- Corrosive fluid
- Viscosity over 20cst

## MATERIAL:

PARTS	Coil	Tube	Spring	Core	Plug	Diaphragm	Valve body
MATERIAL	Special copper wire (H class)	Stainless steel	Stainless steel	Stainless steel	NBR	NBR	Forged Brass



## SPECIFICATION

MODEL	Waterproof DIN/flying lead Coil	NASS DIN Coil (IP65)	PIPE SIZE	CV	ORIFICE	FLUID TEMP. (°C)	Operating Pressure kgf / cm <sup>2</sup> (bar)					Dimension (mm)			Weight (kg)
							Water	Air	Wteam	Light oil	Gas	L	H	D	
UG-10	●	●	3/8"	4.5	15mm	-5°C ~ +80°C					0~7	70	100	48	1.01
UG-15	●	●	1/2"	4.5	15mm	-5°C ~ +80°C					0~7	70	100	48	1
UG-20	●	●	3/4"	8.6	20mm	-5°C ~ +80°C					0~7	73	102	48	1.13
UG-25	●	●	1"	12	25mm	-5°C ~ +80°C					0~7	100	112	48	1.7
UG-35	●		1 1/4"	24	35mm	-5°C ~ +80°C					0~7	125	113	48	2.32
UG-40	●		1 1/2"	28	40mm	-5°C ~ +80°C					0~7	125	118	48	2.53
UG-50	●		2"	48	50mm	-5°C ~ +80°C					0~7	167	125	48	4.32