

# asiagas

## Full Bore Ball Valve with BSPT

**BS EN331:1998+A1:2010**

THREAD TO **BS EN 10226-1**



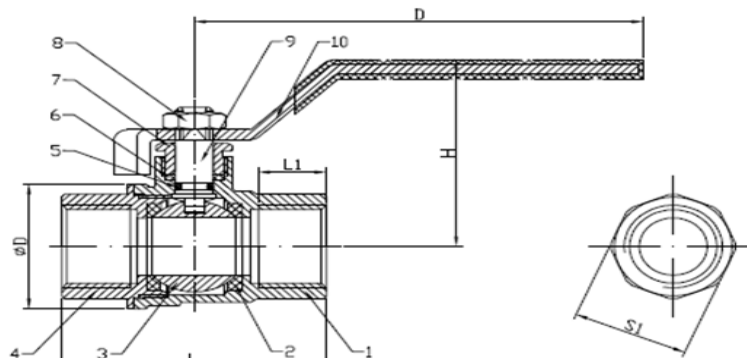
### FEATURE AND SPECIFICATION :

- » **Hot Forged** sand blasted brass body and cap sealed with Loctile,
- » **Full bore** for minimum pressure drop, suitable for gas use
- » 100% seal test performed twice guarantees **zero leakage**,
- » Pure **PTFE** self-lubricating seats with flexible-lip design,
- » Double seal system allows valve to be operated in **both directions** making installation easier,
- » Chrome plated brass ball for **longer life**,
- » **No metal-to metal** moving parts,
- » **Blowout-proof** nickel plated brass stem,
- » Two Viton O-rings at the stem for **maximum safety**,
- » Handle stops on body to **avoid stress** at stem,
- » **Removable handle** with operating valve,

- » 20 bar (kg/cm<sup>2</sup>) cold water **pressure**,
- » 16 bar (kg/cm<sup>2</sup>) Air **pressure**,
- » -20<sup>0</sup>C +170<sup>0</sup>C **temperature**

### OPTIONS :

- » **Male / Female** threads to BSEN10226-1
- » **T-handle** for valves
- » **Locking device**.



Size Dia	L	L1	S1	D	H	ØD
¼"	44	11.5	21	87	38	24
3/8"	44	11.5	21	87	38	24
½"	60	15	25	95	48	31.5
¾"	67	18	31	113	52	36
1"	78	20	37	115	57	44
1 ¼"	94	23	47	130	68	56.5
1 ½"	106	24.5	53	157	86	67.5
2"	118	25.5	66	160	94	83
2 ½"	140.8	26	82	220	143	113.5
3"	156.9	27	97.5	220	153.5	131
4"	195.2	33	122	220	169.5	163

### MATERIAL

Part No.	Component	Material
1	BODY	Nickel Plated HPb
2	SEAT	PTFE
3	BALL	Nickel Plated HPb
4	TLPC	Hot Presses Brass
5	O-RING	NBR
6	STEM WASHER	PTFE
7	GLAND	Hot Presses Brass
8	NUT	Steel
9	STEM WASHER	Hot Presses Brass
10	HANDLE	Steel