

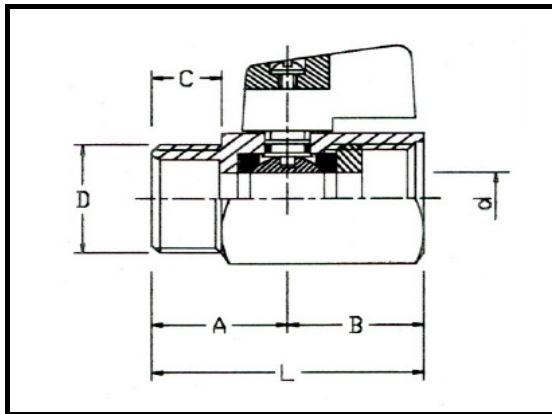
# ASIA MINI BALL VALVE

## DZR Screw End to BS21



### FEATURE AND SPECIFICATION :

- » **Hot Forged** sand blasted DZR brass body,
- » 100% seal test performed twice guarantees **zero leakage**,
- » Pure **PTFE** self-lubricating seats with flexible-lip design,
- » Stainless Steel ball for **longer life**,
- » 20 bar (kg/cm<sup>2</sup>) cold water **pressure**,
- » 16 bar (kg/cm<sup>2</sup>) Air **pressure**,
- » -10<sup>0</sup>C +120<sup>0</sup>C **temperature**
- » Female thread and male thread to BS21



### MATERIAL

1	BODY	DZR Brass
2	SEAT	PTFE
3	BALL	Stainless Steel
4	STEM	DZR Brass
5	O-RING	NBR
6	SEAT	PTFE
7	NUT	DZR Brass
8	HANDLE	Aluminium

SIZE Inch	DIA mm	BORE mm	A mm	B mm	C mm	D mm	L mm
½"	15	10	20	23	10	21	43
¾"	20	12	24	27	13	26	51
1"	25	15	30	33	18	33	63