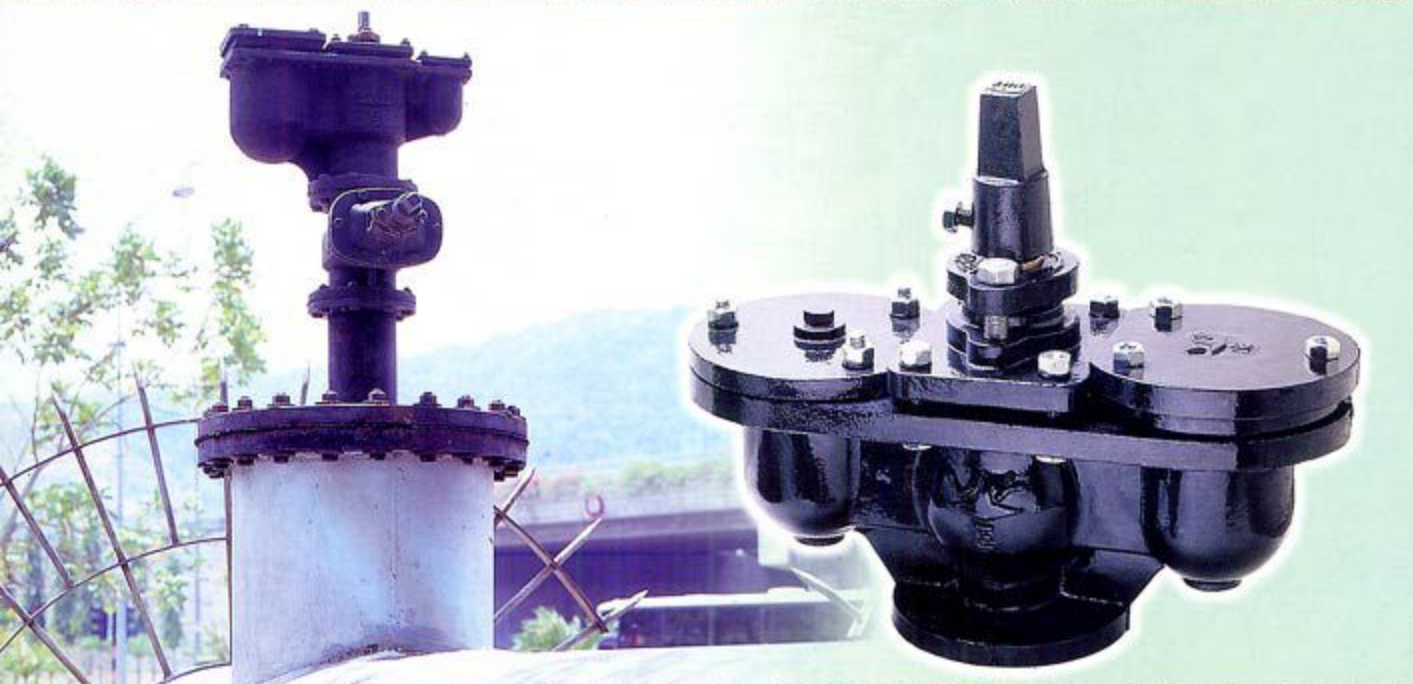
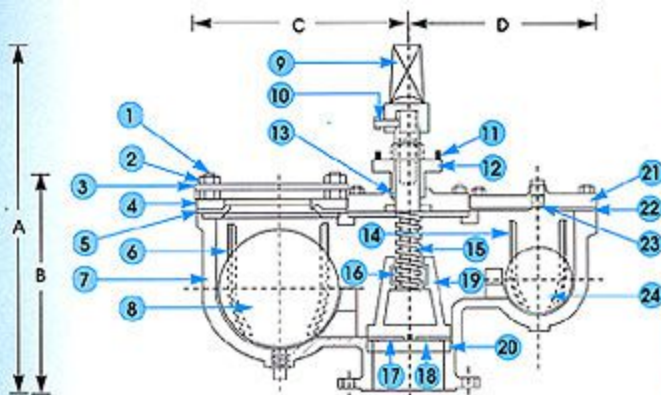


DOUBLE ORIFICE STANDARD



SINGLE SMALL ORIFICE



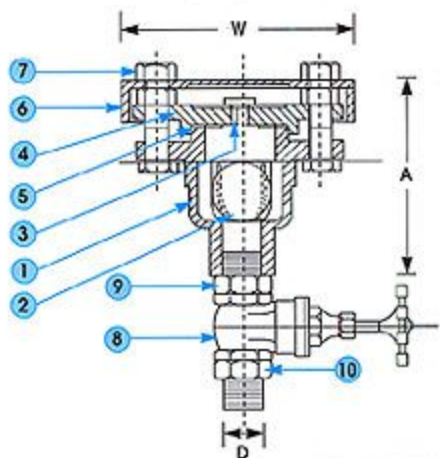


MAXIMUM DIMENSION					
SIZE	A	B	C	D	E*
mm	mm	mm	mm	mm	mm
50	415	240	245	245	200
80	425	245	245	245	200
100	480	325	285	245	245
150	515	415	370	285	250
200	615	475	475	315	310

E* - Width of air valve

Small And Large Orifice Double Air Valve With Integral Isolating Valve. Model No. 455

NO	DESCRIPTION	MATERIAL	BS REF. NO.
1	BOILTS	MILD STEEL	4190 Gr. 3.6
2	NUTS	MILD STEEL	4190 Gr. 3.6
3	LARGE ORIFICE COVER	C. IRON / D. IRON	1452 Gr. 220/2789 Gr. 420/12
4	LARGE ORIFICE PLATE	C. IRON / D. IRON	1452 Gr. 220/2789 Gr. 420/12
5	GASKET	MOULDED RUBBER	2494 Type W
6	BALL GUIDE	C. IRON / D. IRON	1452 Gr. 220/2789 Gr. 420/12
7	BODY	C. IRON / D. IRON	1452 Gr. 220/2789 Gr. 420/12
8	LARGE ORIFICE FLOAT (BALL)	RUBBER / ABS	2494 Type W
9	SPINDLE CAP	C. IRON / D. IRON	1452 Gr. 220/2789 Gr. 420/12
10	CAP SET SCREW	MILD STEEL	4190 Gr. 3.6
11	GLAND BOLT	MILD STEEL	4190 Gr. 3.6
12	GLAND	C. IRON / D. IRON	1452 Gr. 220/2789 Gr. 420/12
13	O-RING	NBR	AS 568
14	BALL GUIDE	C. IRON / D. IRON	1452 Gr. 220/2789 Gr. 420/12
15	SPINDLE	HIGH TENSILE BRASS	2872/2874 CZ 116 / CZ 114
16	SPINDLE NUT	GUNMETAL	1400 L92
17	SEAL	RUBBER	2494 Type W
18	SEAL NUT	C. IRON / D. IRON	1452 Gr. 220/2789 Gr. 420/12
19	VALVE STOPPER	C. IRON / D. IRON	1452 Gr. 220/2789 Gr. 420/12
20	VALVE SEAT RING	C. IRON / D. IRON	1452 Gr. 220/2789 Gr. 420/12
21	SMALL ORIFICE PLATE	C. IRON / D. IRON	1452 Gr. 220/2789 Gr. 420/12
22	GASKET	MOULDED RUBBER	2494 Type W
23	AIR RELEASE NIPPLE	BRASS	2872 / 2874 CZ 116 / CZ 114
24	SMALL ORIFICE FLOAT (BALL)	RUBBER / ABS	2494 Type W



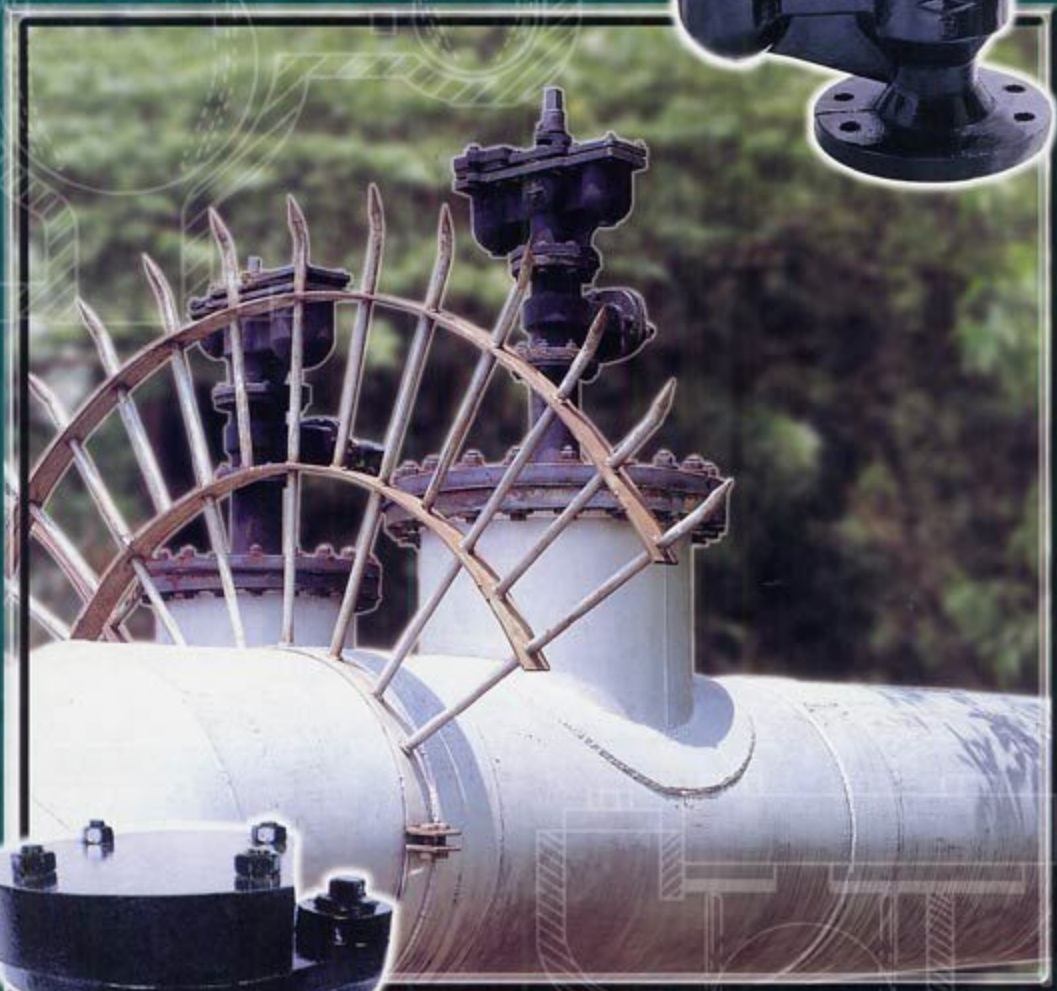
MAXIMUM DIMENSION				
SIZE	A	B*	W	D
mm	mm	mm	mm	mm
10	215	105	155	10
12	215	105	155	12
20	215	105	155	20
25	215	105	155	25

B* - Width of air valve

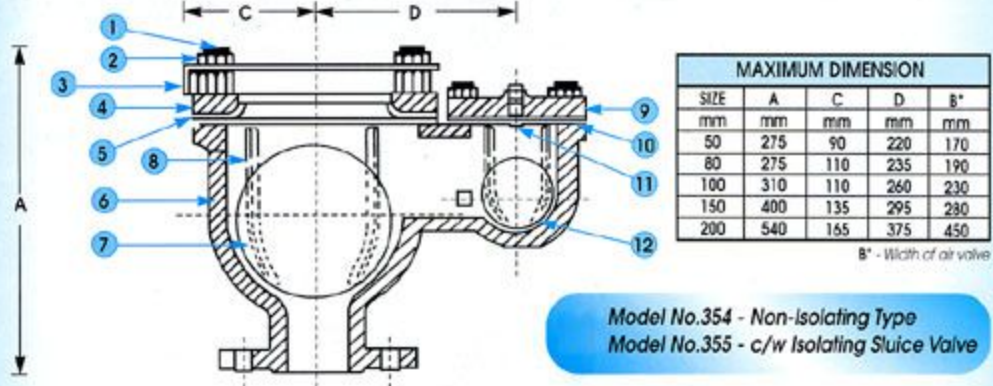
SINGLE SMALL ORIFICE Model No. 154 w/o gate valve Model No. 155 c/w gate valve

NO	DESCRIPTION	MATERIAL	BS REF. NO.
1	BODY	C. IRON / D. IRON	1452 Gr. 220/2789 Gr. 420/12
2	FLOAT (BALL)	RUBBER / ABS	2494 Type W
3	AIR RELEASE NUT	BRASS	2872/2874 CZ 116 / CZ 114
4	PLATE	C. IRON / D. IRON	1452 Gr. 220/2789 Gr. 420/12
5	GASKET	MOULDED RUBBER	2494 Type W
6	COVER	C. IRON / D. IRON	1452 Gr. 220/2789 Gr. 420/12
7	BOLTS AND NUTS	MILD STEEL	4190 Gr. 3.6
8	GATE VALVE	BRASS	5154
9	NIPPLE	GAL. IRON	143 / 1256
10	NIPPLE	GAL. IRON	143 / 1256

DOUBLE ORIFICE KINETIC

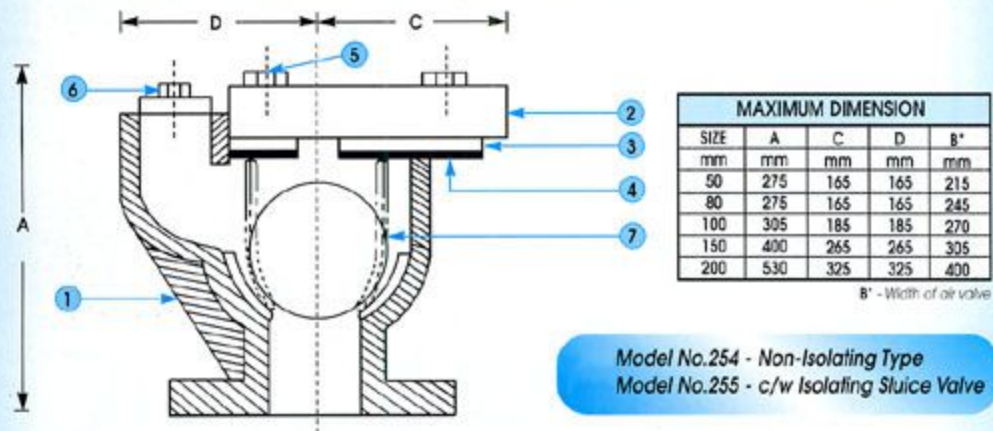


SINGLE LARGE ORIFICE



DOUBLE ORIFICE KINETIC (ORIFIS BERKEMBAR KINATIK) (SMALL AND LARGE ORIFICE DOUBLE AIR VALVE)

NO	DESCRIPTION	MATERIAL	BS REF. NO.
1	BOLTS	MILD STEEL	4190 Gr. 3.6
2	NUTS	MILD STEEL	4190 Gr. 3.6
3	LARGE ORIFICE COVER	C. IRON / D. IRON	1452 Gr.220 / 2789 Gr.420 / 12
4	LARGE ORIFICE PLATE	C. IRON / D. IRON	1452 Gr.220 / 2789 Gr.420 / 12
5	GASKET	MOULDED RUBBER	2494 Type W
6	BODY	C. IRON / D. IRON	1452 Gr.220 / 2789 Gr.420 / 12
7	LARGE ORIFICE FLOAT (BALL)	RUBBER / ABS	3457 Clause 6
8	BALL GUIDE	C. IRON / D. IRON	1452 Gr.220 / 2789 Gr.420 / 12
9	SMALL ORIFICE PLATE	C. IRON / D. IRON	1452 Gr.220 / 2789 Gr.420 / 12
10	GASKET	MOULDED RUBBER	2494 Type W
11	AIR RELEASE NIPPLE	BRASS	2872 / 2874 CZ116 / CZ 114
12	SMALL ORIFICE FLOAT (BALL)	RUBBER / ABS	2494 Type W



SINGLE LARGE ORIFICE - TYPE B (ORIFIS BESAR TUNGGAL)

NO	DESCRIPTION	MATERIAL	BS REF. NO.
1	BODY	C. IRON / D. IRON	1452 Gr.220 / 2789 Gr.420 / 12
2	COVER	C. IRON / D. IRON	1452 Gr.220 / 2789 Gr.420 / 12
3	PLATE	C. IRON / D. IRON	1452 Gr.220 / 2789 Gr.420 / 12
4	GASKET	MOULDED RUBBER	2494 Type W
5	BOLTS AND NUTS	MILD STEEL	4190 Gr. 3.6
6	PLUG	GAL. IRON	143 / 1256
7	FLOAT (BALL)	RUBBER / ABS	3457 Clause 6