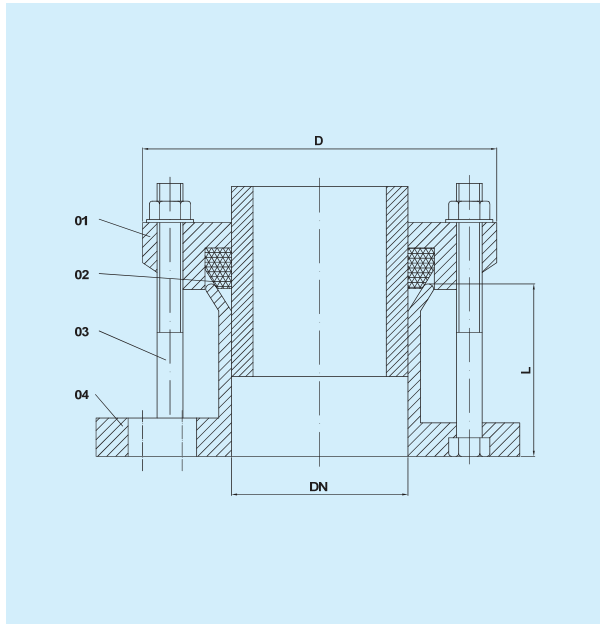


## UNIVERSAL FLANGE ADAPTOR



### Briefs

- Connection for pipes in material ductile iron, steel, PVC, AC etc;
- Working pressure PN10/16;
- Maximum temperature -10 C to +70 C ;
- Suitable for portable water, neutral liquids and sewage;
- WRAS approved.

### Standards

- Flange: EN 1092-2;
- Coating: EN30677;
- Test: EN 12266-1.

### Features

- Wide tolerance range;
- Corrosion resistant construction;
- Total angular deflection of  $\pm 4^\circ$ .

### Options

- Flange drilling with BS or ANSI standard;
- GD8.8, Stainless steel, Dacromet bolt;
- Various coating;
- Seal: NBR etc.

### Assembly Chart

ITEM	DESCRIPTION	MATERIAL	STANDARD
1	END RING	EN GJS400-15	EN 1563
2	GASKET	EPDM	EN 681-1
3	FASTENER	GD 4.8	COMMERCIAL
4	BODY	EN GJS400-15	EN 1563

### Specifications & Parameters Chart

DN	RANGE	L	D	BOLT	
	mm			mm	mm
50	59-72	75	165	M12X130	2
65	72-85	75	185	M12X130	2
80	88-103	76	185	M12X130	4
100	109-128	78	218	M12X130	4
125	132-146	78	250	M12X130	4
150	159-182	80	272	M12X130	4
175	192-210	85	312	M12X130	4
200	218-235	85	335	M12X130	4
250	272-289	90	405	M12X130	6
300	315-332	90	460	M12X130	6

DN	RANGE	L	D	BOLT	
	mm			mm	mm
350	374-391	110	510	M16X180	8
400	400-429	110	568	M16X180	8
400	418-435	110	580	M16X180	8
400	425-442	110	580	M16X180	8
450	476-493	115	640	M16X180	10
500	500-532	120	683	M16X180	10
500	527-544	120	690	M16X180	10
600	600-630	130	790	M16X180	10
600	630-647	130	820	M16X180	10