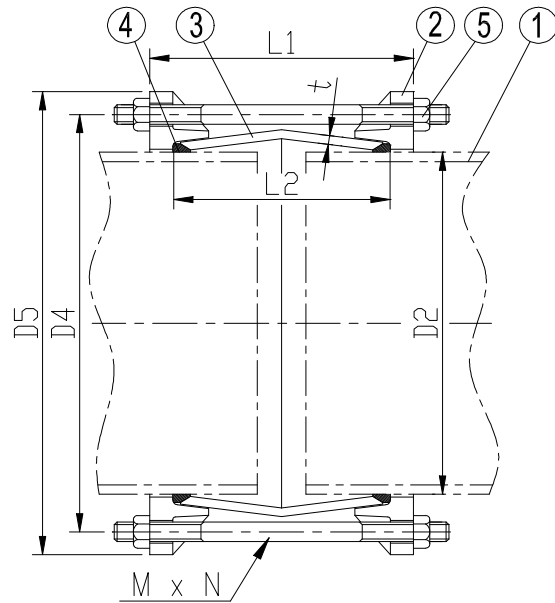


ASIA Flexible Couplings

For Ductile Iron Pipe

•ISO2531:2000/BSEN545:2000



NO	PART NAME	MATERIAL
1	PIPE	DUCTILE IRON
2	RETAINER	DUCTILE IRON
3	BODY	DUCTILE IRON
4	RING	EPDM
5	STUD	GI / STAINLESS STEEL

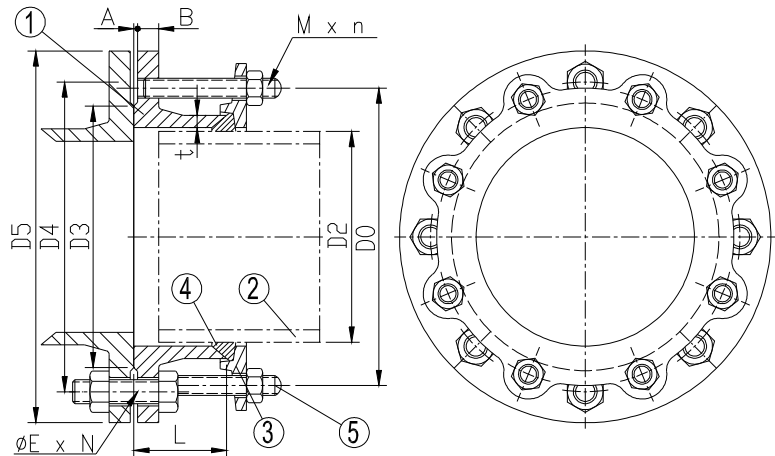
Dimension in millimeters

DN	D ₂	D ₄	D ₅	L ₁	L ₂	t	M	N
80	98	169	198	178	102	7.0	12	4
100	118	189	218	178	102	7.5	12	4
125	144	215	244	178	102	7.5	12	4
150	170	241	270	178	102	8.0	12	4
200	222	293	322	178	102	8.5	12	6
250	274	345	374	178	102	9.0	12	6
300	326	397	426	178	102	10.0	12	8
350	378	458	491	262	152	10.5	16	8
400	429	509	542	262	152	11.0	16	8
450	480	556	589	262	152	11.5	16	10
500	532	608	641	262	152	12.0	16	10
600	635	711	744	262	152	13.5	16	12
700	738	814	847	262	152	14.5	16	12
800	842	918	951	262	152	16.0	16	12
900	945	1031	1064	278	178	17.0	16	14
1000	1048	1134	1167	278	178	18.0	16	14
1100	1152	1245	1278	290	178	19.5	16	16
1200	1255	1348	1381	290	178	20.5	16	18
1400	1462	1555	1588	290	178	23.0	16	20
1500	1565	1658	1691	290	178	24.0	16	20
1600	1668	1761	1794	290	178	25.5	16	24
1800	1875	1974	2007	437	254	28.0	16	32
2000	2082	2187	2220	437	254	30.0	16	36

ASIA Flange Adaptor

For Ductile Iron Pipe

•ISO2531:2000/BSEN545:2000



NO	PART NAME	MATERIAL
1	BODY	DUCTILE IRON
2	PIPE	DUCTILE IRON
3	RETAINER	DUCTILE IRON
4	RING	EPDM
5	STUD	GI / STAINLESS STEEL SS304 or SS316

Flange drilled to BS 4504:1989 PN 16

Dimension in mm

DN	D ₂	D ₃	D ₄	D ₅	D ₀	L	t	A	B	φ E	N	M	n
80	98	132	160	200	166	73	7.0	3	16.0	19	8	M12	4
100	118	156	180	220	187	76	7.5	3	16.0	19	8	M12	4
125	144	184	210	250	210	76	7.5	3	16.0	19	8	M12	4
150	170	211	240	285	240	76	8.0	3	16.0	23	8	M12	4
200	222	266	295	340	295	76	8.5	3	17.0	23	12	M12	6
250	273	319	355	400	355	90	9.0	3	19.0	28	12	M12	6
300	326	370	410	455	410	90	10.0	4	20.5	28	12	M12	6
350	378	429	470	520	470	110	10.5	4	22.5	28	16	M16	8
400	406	480	525	580	525	110	11.0	4	24.0	31	16	M16	8
450	457	544	585	640	585	110	11.5	4	26.0	31	20	M16	10
500	508	609	650	715	650	115	12.0	4	27.5	34	20	M16	10
600	610	720	770	840	770	115	13.5	5	31.0	37	20	M16	10
700	711	794	840	910	840	115	14.5	5	34.5	37	24	M16	12
800	842	901	950	1025	950	115	16.0	5	38.0	40	24	M16	12
900	914	1001	1050	1125	1050	115	17.0	5	41.5	40	28	M16	14
900	945	1001	1050	1125	1050	115	17.0	5	41.5	40	28	M16	14
1000	1048	1112	1170	1255	1170	115	18.0	5	45.0	43	28	M16	14
1200	1255	1328	1390	1485	1390	130	20.5	5	52.0	49	32	M16	16
1400	1462	1530	1590	1685	1590	130	23.0	5	55.0	49	36	M20	18
1500	1565	1640	1710	1820	1710	130	24.0	5	57.5	56	36	M20	18
1600	1668	1750	1820	1930	1820	190	25.5	5	60.0	56	40	M20	40
1800	1875	1950	2020	2130	2020	190	28.0	5	65.0	56	44	M20	44
2000	2082	2150	2230	2345	2230	190	30.0	5	70.0	62	48	M20	48